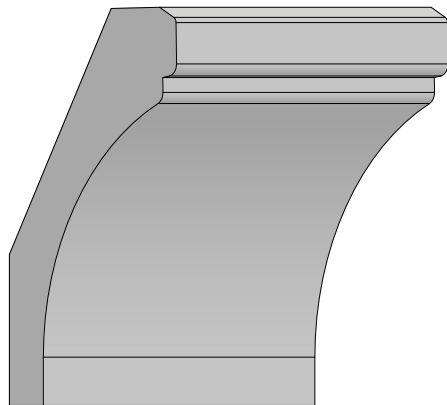



A: 4 1/8"  
 B: 2 7/16"  
 C: 4 3/4"

Th: 1 1/4"



Scale : 1:1	Part Number : CRO-42-B	Style : Traditional - HW Exclusive	
<a href="#">Back</a>	Description : Crown Mold (SS Crown Mod.)		